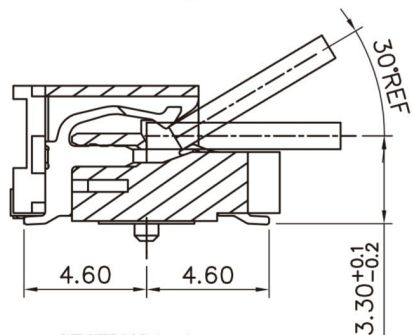
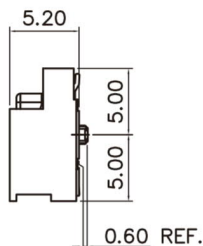
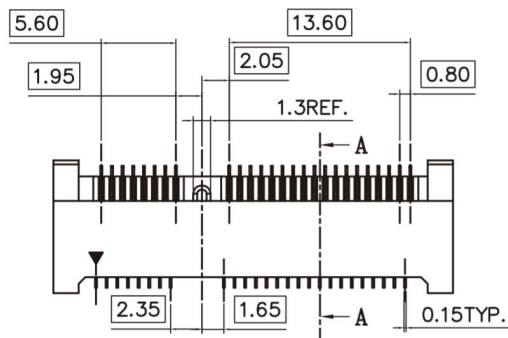


ORDERING INFORMATION

PCI 52 U 2 E - X X  
 (1) (2) (3) (4) (5) (6) (7)

- SERIES NO.  
PCI: PCI CONNECTOR
- NUMBER OF PIN  
52: 52 POSITIONS
- TAIL CONSTRUCTION TYPE  
U: SMT TYPE
- PRODUCT HEIGHT  
2: PRODUCT HEIGHT:5.20mm
- PCI TYPE  
E: MINI PCI EXPRESS CONN.
- HOUSING COLOR CODES AND MATERIAL  
C: COLOR: BLACK & MATERIAL: LCP  
D: COLOR: WHITE & MATERIAL: LCP
- CONTACT PLATING
  - GOLD FLASH OVER NICKEL ON CONTACT AREA AND 100u" MIN. TIN PLATING OVER NICKEL ON SOLDER TAILS
  - 15u"GOLD PLATING OVER NICKEL ON CONTACT AREA AND 100u" MIN. TIN PLATING OVER NICKEL ON SOLDER TAILS
  - 30u"GOLD PLATING OVER NICKEL ON CONTACT AREA AND 100u" MIN. TIN PLATING OVER NICKEL ON SOLDER TAILS



SECTION:A-A  
SCALE 2:1

技术详询

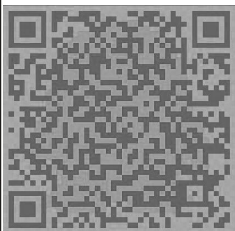
NOTES:

MATERIAL AND FINISH:

CONTACT: COPPER ALLOY, NICKEL UNDERPLATING. GOLD PLATING ON CONTACT AREA AND ON SOLDER AREA.

NAIL: COPPER ALLOY, NICKEL UNDERPLATING, MATTE-TIN OVER NICKEL.

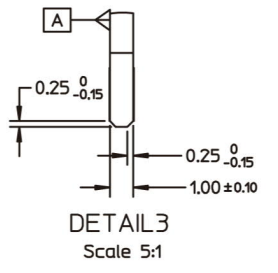
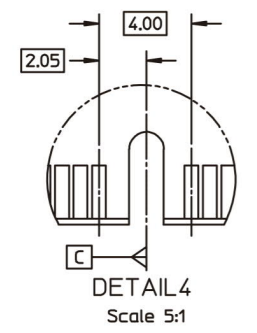
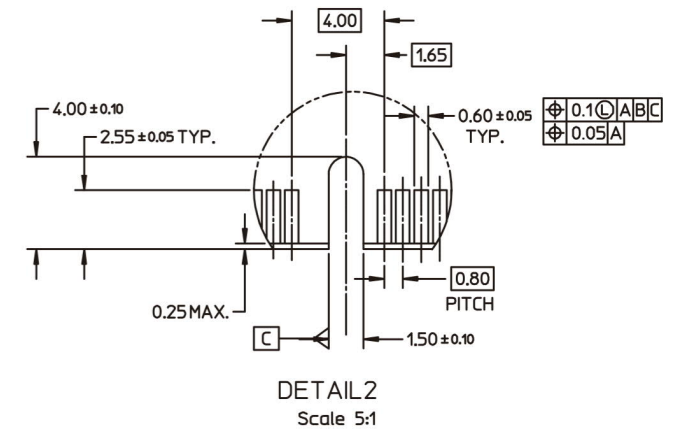
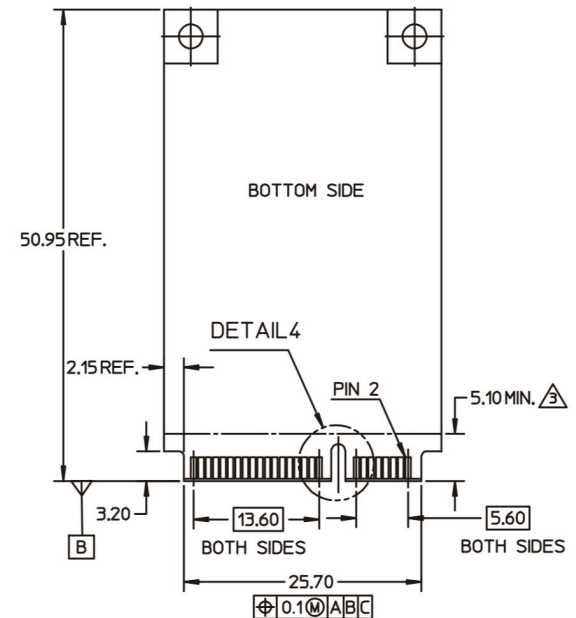
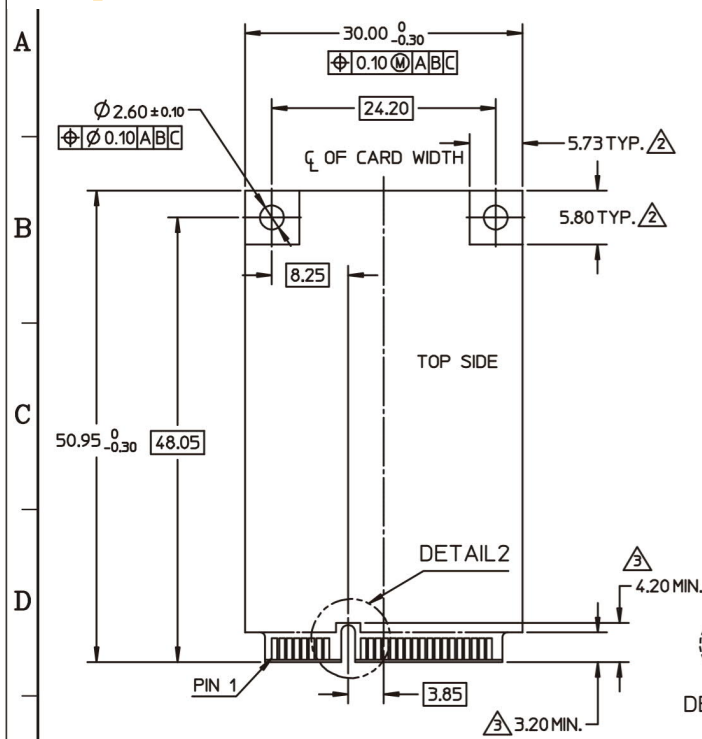
HOUSING: HIGH TEMP. THERMOPLASTIC, UL 94V-0



5			
4			
3			
2			
1			
NO.	DATE	DESCRIPTION	APPROVAL

DRAWING: Chen	GENERAL TOLERANCE .X: =±0.4 .X°: =±2° .XX: =±0.25 .XX°: =±1° .XXX: = .XXX°: =±0.5°	
CHECKED:	UNIT: MM	PROJECTION:
APPROVAL:	SCALE: 1/1	
	SHEET: 1/3	

<p>深圳市金航标电子有限公司</p>		
DESCRIPTION: MINI PCI EXPRESS CONN. 0.8MM PITCH 52PIN 5.2MM		
PART NO:	PCI52U2E-XX	REV: 1.0
DRAWING NO:	P1PCI52U2E-XX-01	SIZE: A4

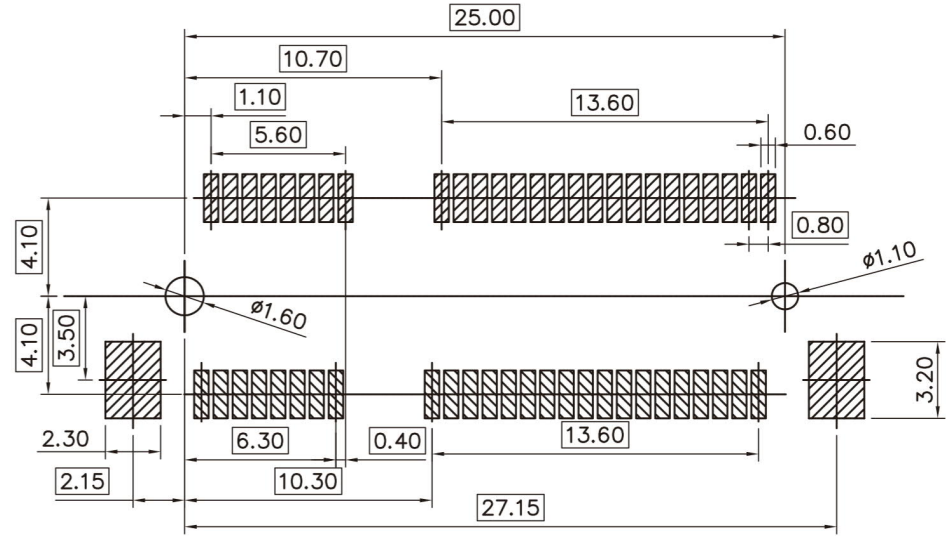
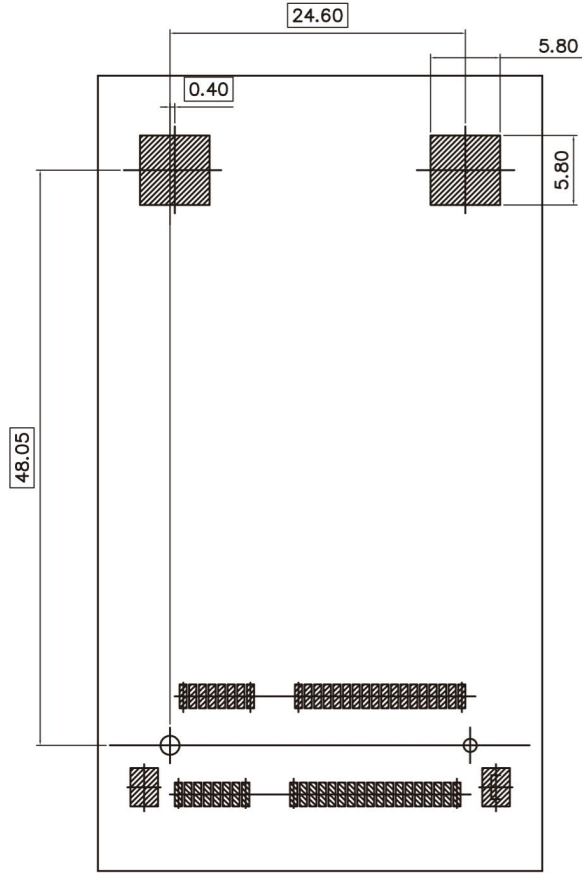


NOTES:  
 1. PIN NUMBERING REFERENCE:  
 ODD PINS-TOP SIDE  
 EVEN PINS-BOTTOM SIDE  
 2. COMPONENT AND ROUTING(ALL LAYERS)  
 KEEP OUT AREA FOR HOLD DOWN SOLUTIONS  
 3. COMPONENT KEEP OUT AREA FOR CONNECTOR

5			
4			
3			
2			
1			
NO.	DATE	DESCRIPTION	APPROVAL

DRAWING: Chen	GENERAL TOLERANCE .X: = ±0.4 .XX: = ±0.25 .XXX: =	.X°: = ±2° .XX°: = ±1° .XXX°: = ±0.5°
CHECKED:	UNIT: MM	PROJECTION:
APPROVAL:	SCALE: 1/1	
	SHEET: 3/3	

<p>深圳市金航标电子有限公司</p>		
<p>DESCRIPTION: MINI PCI EXPRESS CONN. 0.8MM PITCH 52PIN 5.2MM</p>		
PART NO:	PCI52U2E-XX	REV: 1.0
DRAWING NO:	P1PCI52U2E-XX-03	SIZE: A4



SCALE 2:1

RECOMMENDED PCB LAYOUT

5				DRAWING: Chen	GENERAL TOLERANCE		深圳市金航标电子有限公司		
4					.X: $\pm 0.4$	.X°: $\pm 2^\circ$			
3				CHECKED:	.XX: $\pm 0.25$	.XX°: $\pm 1^\circ$	DESCRIPTION: MINI PCI EXPRESS CONN. 0.8MM PITCH 52PIN 5.2MM		
2					UNIT: MM	PROJECTION:			
H 1	NO.	DATE	DESCRIPTION	APPROVAL:	SCALE: 1/1		PART NO: PCI52U2E-XX		REV: 1.0
					SHEET: 2/3		DRAWING NO: P1PCI52U2E-XX-02		SIZE: A4